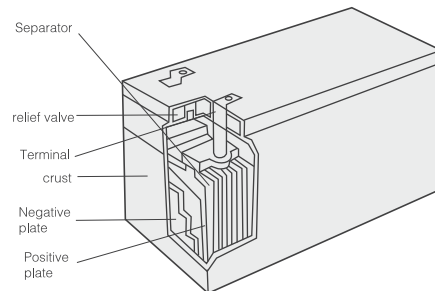
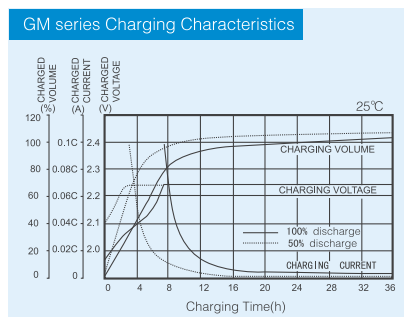
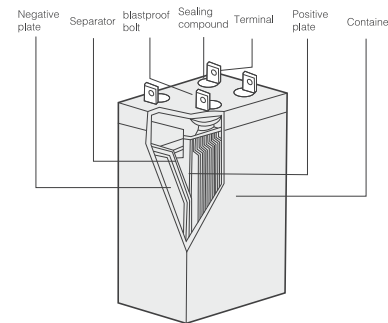
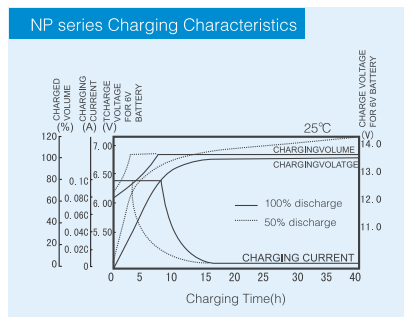


Lead-Acid Battery



AWP Valve-regulated sealed lead-acid battery is featured with high energy, long life, zero pollution, maintenance-free and safety. It adopts modern updated design, manufacturing process, advanced lead-calcium electrode plate, super-fine glass fiber separators and airproof design. The product mainly includes lead-acid battery for the NP series (12V), GM series (2V); colloidal battery for the NPJ series (12V), GMJ series (2V).



Technical specifications

NP series

Model	Rate voltage	Rate capacity	Dimensions				Weight	Bolt
			W	D	H	Total H		
NP4-12	12	4	90	70	101	107	1.45	T1
NP7-12	12	7	151	65	94.5	100	2.15	T2
NP8-12	12	8	151	65	94.5	100	2.35	T2
NP9-12	12	9	151	65	94.5	100	2.5	T2
NP12-12	12	12	151	98	95	101	3.8	T2
NP17-12	12	17	181.5	77	167.5	167.5	5.32	T3
NP24-12	12	24	166	175	125	125	7.6	M5
NP38-12	12	40	197.5	165.5	170	170	12.8	M6
NP65-12	12	65	350	167	179	179	20.4	M6
NP100-12	12	100	339	173	214.5	220	28.0	M8
NP120-12	12	120	410	176	224	224	33.5	M8
NP150-12	12	150	482	170	240	240	44.5	M8
NP200-12	12	200	522	238	218	223	59.1	M8
NP230-12	12	230	520	269	203	208	72.6	M8

GM series

Model	Rate voltage	Rate capacity	Dimensions				Weight	Bolt
			W	D	H	Total H		
GM100-2	2	100	170	72	205	212	6.0	M6
GM200-2	2	200	170	110	328	350	13.6	M8
GM300-2	2	300	170	150	328	350	18.7	M8
GM400-2	2	400	210	175	330	350	25.5	M8
GM500-2	2	500	240	175	330	350	30.0	M8
GM600-2	2	600	302	175	330	350	38.5	M8
GM800-2	2	800	410	175	330	351	51.0	M8
GM1000-2	2	1000	475	175	328	350	60.0	M8
GM1500-2	2	1500	403	354	339	349	96.5	M8
GM2000-2	2	2000	490	350	345	382	125.0	M8
GM3000-2	2	3000	710	350	345	382	210.0	M8

NPJ series

Model	Rate voltage	Rate capacity	Dimensions				Weight	Bolt
			W	D	H	Total H		
NPJ24-12	12	24	166	175	125	125	8.0	M5
NPJ38-12	12	26	197	165	172	172	14.5	M5
NPJ50-12	12	50	229	138	211	216	18.2	M6
NPJ65-12	12	65	350	166	174	174	23.4	M6
NPJ100-12	12	100	339	174	216	222	32.0	M8
NPJ120-12	12	120	407	175	210	240	39.7	M8
NPJ150-12	12	150	484	170	240	240	46.2	M8
NPJ200-12	12	200	520.5	240	219	224	65.0	M8

GMJ series

Model	Rate voltage	Rate capacity	Dimensions				Weight	Bolt
			W	D	H	Total H		
GMJ200-2	2	200	170	110	328	337	14.2	M8
GMJ300-2	2	300	170	150	328	337	19.1	M8
GMJ400-2	2	400	210	175	330	339	25.5	M8
GMJ500-2	2	500	240	175	330	340	31.7	M8
GMJ600-2	2	600	300	175	330	340	38.8	M8
GMJ800-2	2	800	410	175	330	340	50.6	M8
GMJ1000-2	2	1000	475	175	328	338	61.6	M8
GMJ1500-2	2	1500	403	354	339	349	98.2	M8
GMJ2000-2	2	2000	490	350	339	349	132	M8
GMJ3000-2	2	3000	709	350	337	349	190	M8